

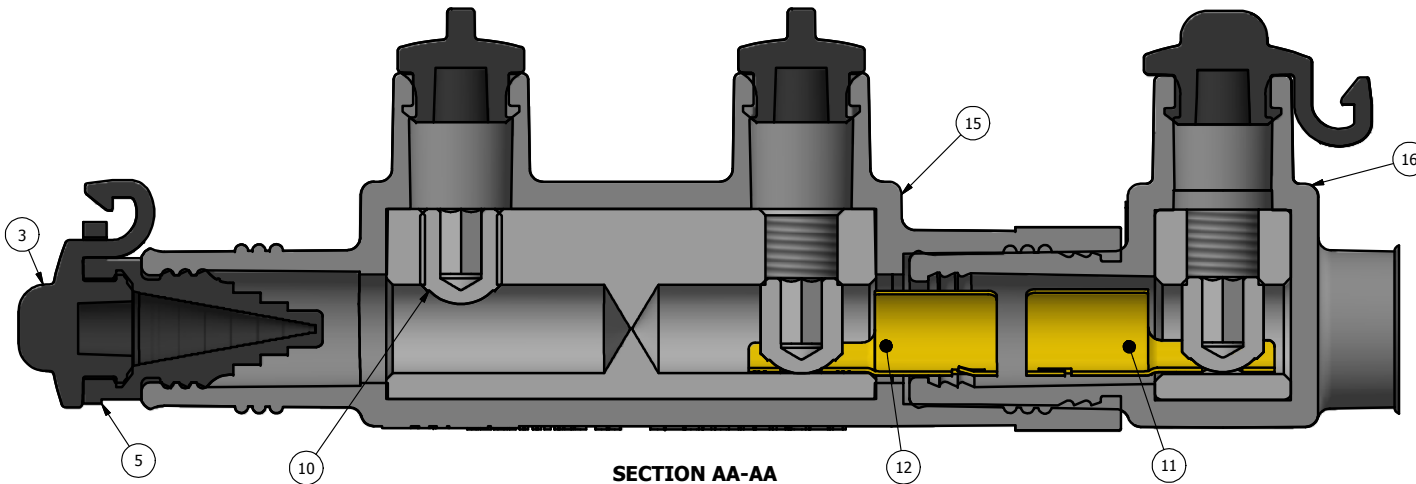
SCREW: E1376
 CAT. NO.: SEE CHART
 INFORMATION SHEET: FORM 230

MATERIAL: MULTIPLE
 PLATING: SEE PART
 MARKING: SEE BELOW

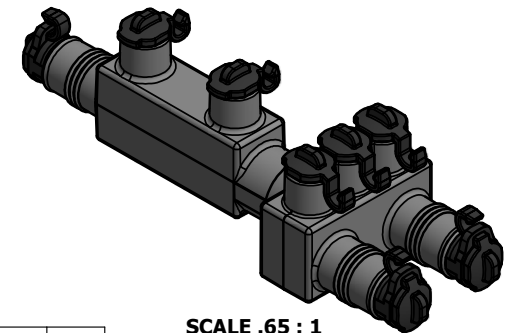
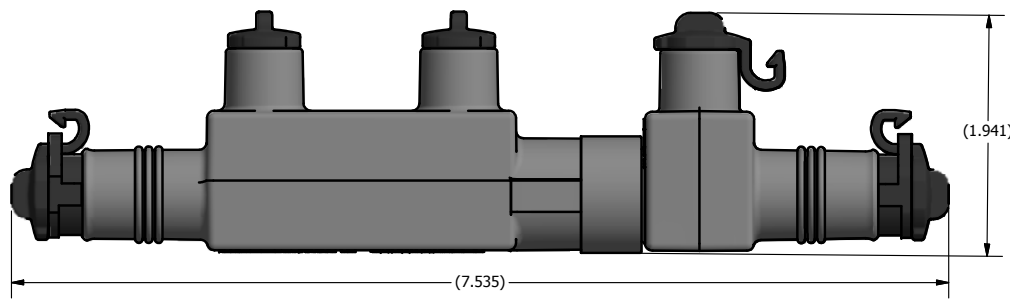
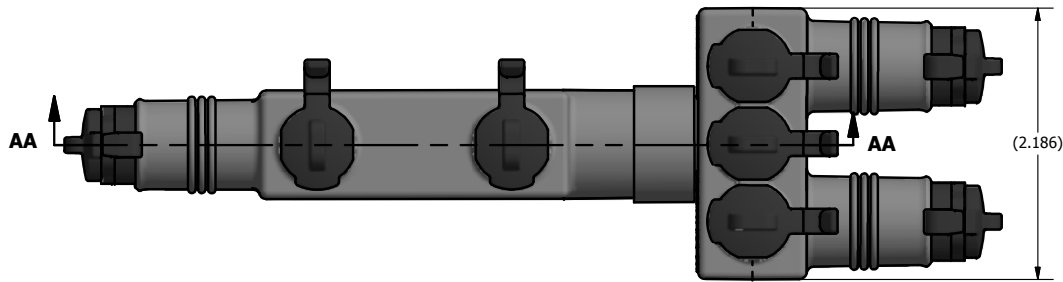
REV: D
 DRAWN BY: DFR
 DATE: 1/18/2016
 SCALE: 1.5 : 1
 SIZE: B



DWG NO: M8003
 SHEET: 1 OF 1



SECTION AA-AA



SCALE .65 : 1

QTY	QTY	NO.	PART NUMBER	DESCRIPTION
1	1	16	M8001B03W	BODY, SUB ASSEMBLY
1	1	15	M8000B22W	BODY SUB, ASSEMBLY
1	1	12	R7195C01T	FUSE CLIP RETAINER
1	1	11	R7195C00T	FUSE CLIP WITHOUT RETAINER
5	5	10	E1376C00T	AL SCREW 3/8-24 UNF 2A- EL-TIN
3	3	5	R7189C00A	WIRE SEAL
8	8	3	R7188C00A	PLUG, WIRE SEAL
QTY	QTY	NO.	PART NUMBER	DESCRIPTION